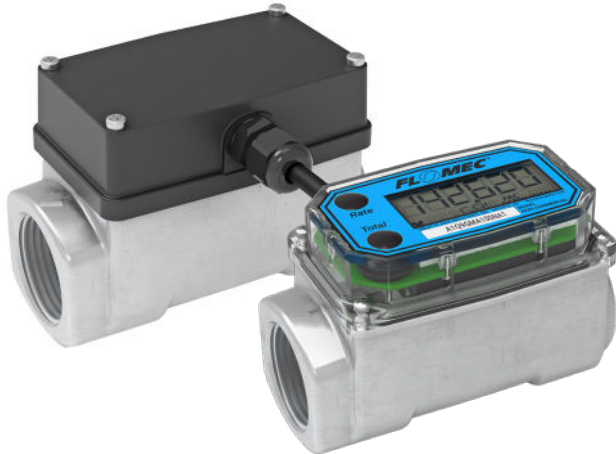


# A1 SERIES ALUMINUM TURBINE FLOW METER



FLOMEC® A1 Series Turbine Flow Meter for accurate measurement of thin petroleum-based fluid applications. The A1's lightweight, compact design allows for easy installation.

## A1A-10-N-Q MODEL WITH DISPLAY

A1 Aluminum featuring the Q9 Display is designed as self-contained, battery-powered unit. Intrinsically safe for use in hazardous areas.†

### FEATURES / BENEFITS

- Unique package combines Turbine and LCD into a self-contained, compact, economical meter
- Local Display Computer features: 2 Non-Volatile Totals (Batch Total = Resettable, Total = Non-resettable) and Rate of Flow
- Output capabilities available to communicate with process control equipment
- 12 selectable engineering units (gallons or litres are standard defaults)
- Factory calibration
- AAA Alkaline battery life: 2 years

## A1A-10-N-P MODEL (BLIND)

A1 Aluminum with Conditioned Signal Output Module (Blind). Conditioned signal module is not FM approved. The conditioned signal output module is not intrinsically safe, and not approved for use in hazardous areas.

### FEATURES / BENEFITS

- Provides an NPN Open Collector pulse that can communicate with most process control devices
- Modular design allows for use with output modules, sensors, and remote display kits; plug and play
- External 9 to 35 V (DC), approximately 1mA
- 10 ft. (3 m) 3-wire with strain relief
- Factory calibration

## APPLICATIONS (Typical application but not limited to)

- Fuel Transfer
- Batching / Blending
- Chemicals compatible with aluminum

## APPROVALS† / WARRANTY

†If the flow meter includes any modules (4-20mA and Pulse Out) that introduces external power, then all intrinsic safety approvals are voided.

## SPECIFICATIONS

<b>Technology:</b>	Turbine	
<b>Line Size:</b>	1 in.	
<b>Accuracy (% of Reading):</b>	± 1.5%	
<b>Repeatability:</b>	± 0.2%	
<b>Fitting Type:</b>	NPT (Female)	
<b>Flow Range:</b>	(10) 3-50 GPM (11-190 L/min)	
<b>Pressure Rating:</b>	300 psi (21 bar)	
<b>Operating Temperature:</b>	-40°F to 250°F (-40°C to 121°C)	
<i>w/ Safe Area Only Display:</i>	0°F to 140°F (-18°C to 60°C)	
<i>w/ Intrinsically Safe Display:</i>	0°F to 129°F (-18°C to 54°C)	
<b>Typical K-Factor:</b>	730 PPG (193 Pulses/L)	
<b>Wetted Materials:</b>	<b>Housing:</b>	Aluminum
	<b>Bearings:</b>	Ceramic (96% Alumina)
	<b>Shaft:</b>	Tungsten Carbide
	<b>Rotor:</b>	Nylon
	<b>Rings:</b>	316 Stainless Steel
<b>Out Frequency:</b>	36.5-608.3 Hz @ 3-50 GPM (11-190 L/min)	
<b>Recommended Filtration:</b>	35 mesh (500 µm)	
<b>Calibration Report:</b>	N.I.S.T. – Certification available.	

Field calibration is recommended for best accuracy.



Wichita · Sydney

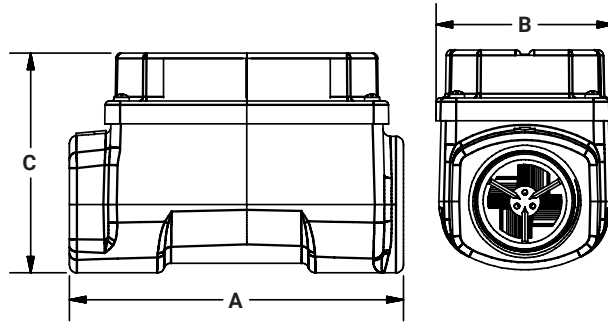
GREAT PLAINS INDUSTRIES



# A1 SERIES ALUMINUM TURBINE FLOW METER

## DIMENSIONS

Dimension "A"	Dimension "B"	Dimension "C"
4.0 in. (10.2 cm)	2.0 in. (5.08 cm)	2.5 in. (6.4 cm)



## ACCESSORIES

### 113275-10

FM Approved\* Remote Kit



### 113435-10

Conditioned Signal Module



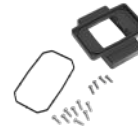
### 125100-10

4-20mA Module



### 125260-02

90° Display Adapter Kit



\*Does not make Non-FM or Non-ATEX Approved flow meters FM or ATEX Approved