

A1 SERIES NYLON TURBINE FLOW METER



FLOMEC® A1 Series Turbine Flow Meters are designed as self-contained, battery-powered units. Select the A1 Nylon Series when you need an accurate flow meter for water or non-aggressive chemical applications. Intrinsically safe for use in hazardous areas.[†]

FEATURES / BENEFITS

- Unique package combines turbine and LCD into a self-contained, compact, economical flow meter
- Local Display Computer features: 2 Non-Volatile Totals (Batch Total = Resettable, Total = Non-resettable) and Rate of Flow
- Output capabilities available to communicate with process control equipment
- Lightweight, compact design allows for easy installation
- 12 selectable engineering units (gallons or liters are standard defaults)
- Factory calibration
- AAA Alkaline battery life: 2 years

APPLICATIONS (Typical application but not limited to)

- Plant Process Water
- Batching / Blending
- Water / Non-Aggressive Chemicals
- Ag Chemicals
- Solvents / Glycol
- Chemical Feed Lines

APPROVALS[†] / WARRANTY









†If the flow meter includes any modules (4-20mA and Pulse Out) that introduces external power, then all intrinsic safety approvals are voided.

SPECIFICATIONS

Technology:	Turbine	
Line Size:	1 in.	
Accuracy (% of Reading):	± 1.5%	
Fitting Type:	NPT (Female)	
Flow Range:	(10) 3-50 GPM (11-190 L/min)	
Pressure Rating:	150 psi (10.3 bar)	
Operating Temperature:	-40°F to 250°F (-40°C to 121°C)	
<i>w/ Safe Area Only Display:</i>	0°F to 140°F (-18°C to 60°C)	
<i>w/ Intrinsically Safe Display:</i>	0°F to 129°F (-18°C to 54°C)	
Typical K-Factor:	730 PPG (193 Pulses/L)	
Wetted Materials:	Housing:	Nylon
	Bearings:	Ceramic (96% Alumina)
	Shaft:	Tungsten Carbide
	Rotor:	Nylon
	Rings:	316 Stainless Steel
Out Frequency:	36.5-608.3 Hz @ 3-50 GPM (11-190 L/min)	
Recommended Filtration:	35 mesh (500 µm)	
Calibration Report:	Comes standard with A1 Series flow meters.	
	N.I.S.T. – Certification available.	

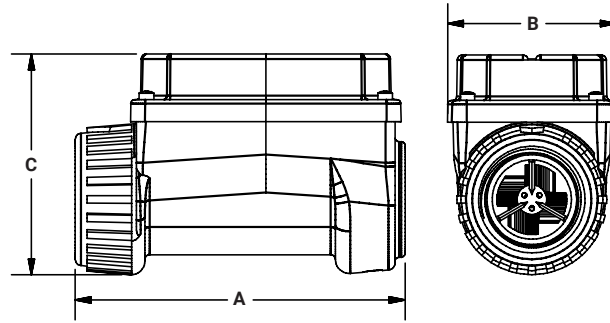
Field calibration is recommended for best accuracy.



A1 SERIES NYLON TURBINE FLOW METER

DIMENSIONS

Dimension "A"	Dimension "B"	Dimension "C"
4.0 in. (10.2 cm)	2.0 in. (5.08 cm)	2.5 in. (6.4 cm)



ACCESSORIES

113275-10

FM Approved* Remote Kit



113435-10

Conditioned Signal Module



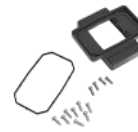
125100-10

4-20mA Module



125260-02

90° Display Adapter Kit



*Does not make Non-FM or Non-ATEX Approved flow meters FM or ATEX Approved