



## EB11 'EasyBatch' CONTROLLER

The FLOMEC EB11 “EasyBatch” is a single stage batch controller designed to create an efficient and accurate dispensing experience. Mountable either directly onto a FLOMEC® flow meter or remotely, and compatible with multiple types of industry signals, the EB11 allows the user to control the volume of fluid dispensed into their process, while the large 7-digit display with back light enables easy reading of the batch status in either light or dark conditions. Housed in an IP66/67-NEMA4X rated Glass Reinforced Nylon enclosure for increased impact and corrosion resistance, particularly in washdown environments. The EB11 contains 2 digital NPN outputs with a current rating of up to 300mA for direct control of solenoid valves, or to connect to relays to allow for the control of large valves and pumps.

## FEATURES

- Easy to use 2 button controller
- Weather resistant and durable IP66/67 - NEMA4X enclosure
- Easy to read backlit 7-digit display
- Retained settings after power loss

## PRODUCT CONFIGURATION

### PRODUCT IDENTIFIER **1**

**EB11** = EasyBatch dc powered single stage batch controller

### ELECTRICAL ACCESS **2**

**1** = M20 x 1.5 mm female threaded conduit entry ports (sealed ports remain IP66/67 when not used)

**2** = 1/2 in. NPT female threaded conduit entry ports

### FLOW INPUT TYPE **3**

**D** = Digital (pulse or frequency)

### POWER SUPPLY **4**

**0** = Self-powered (battery) or regulated 8-24v (dc)

### HOUSING TYPE **5**

**FM** = Universal mount (field or panel) - GRN housing

**MM** = Integral meter mount - GRN housing\*

\*MM when retrofitting an instrument to OM series pulse meters



## ACCESSORIES (for above series)

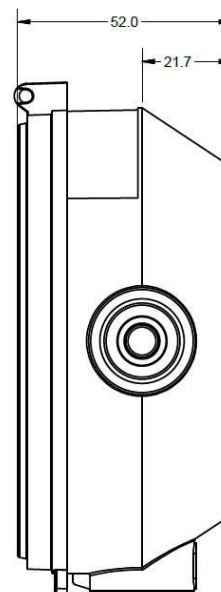
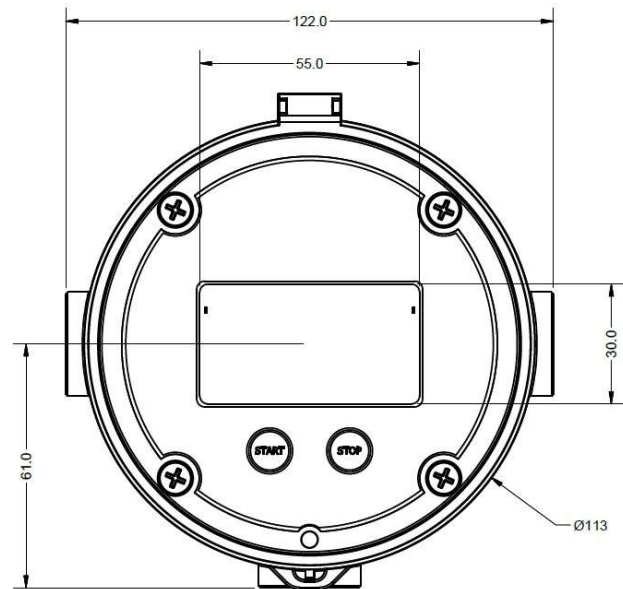
1522001	Stainless steel wall mount kit
1522002	Stainless steel 2 in. pipe mount kit
1502015	Cooling fin kit for flow meters with integral instruments ( for operating between 60°C [140°F] and 100°C [212°F])
1322039	ADM M20-M16 metric adapter
1319006	M16 cable gland
1511002	6-core screened instrument cable

## SPECIFICATIONS

<b>Display</b>	12 mm 7-digit batch total and 7 mm 7-digit batch preset
<b>Engineering Units</b>	Liters, gallons, m <sup>3</sup> , lbs, kgs, or no engineering units
<b>Input Types &amp; Max Frequency</b>	Namur (4kHz), Reed-switch (120 Hz), NPN (6kHz), PNP (6kHz) and coil.
<b>Control Outputs</b>	GRN housing: 2x 300mA NPN Open Collectors, 24v (dc)
<b>Operating Temperature</b>	Field Mount: -10°C - +60°C (14°F - +140°F)
<b>Enclosures</b>	Field Mount: GRN Housing, IP66 (NEMA4X)
<b>Power Requirements</b>	Field Mount: 10-30v (dc)
<b>Mounting Options</b>	Meter or stem mount, wall, surface, pipe or panel mount*

*\*Panel mount seal kit required to maintain IP66/67 rating when separating from rear housing for mounting when using GRN housing.*

## DIMENSIONS / FIELD MOUNT



# B.E.S.

## FLOWMETERS

P: 03 5956 8685 M: 0488 029 256  
 Email: [sales@besflowmeters.com.au](mailto:sales@besflowmeters.com.au)