



PRODUCT DATA SHEET

MX75F-1SC - 3" DIGITAL FLOW METER WITH FLAME PROOF (EX D)

The MX Series 3" DIGITAL FLOW METER are suitable for flows between 20 – 733 L/min (5.28 - 193.64 GPM), providing highly accurate flow measurement performance. The MX Series offers $\pm 0.5\%$ accuracy of true reading in a compact footprint, requiring no flow conditioning and with high pressure and temperature capabilities.

Key features include:

- Aluminium (6061) construction
- FKM (Viton) seals
- Maximum flow rate 733 L/min / 193.64 GPM
- Accuracy of $\pm 0.5\%$ of reading
- Exceptional repeatability of $\pm 0.03\%$
- Temperature up to 120 °C / 248 °F
- 1 point factory calibration as standard, with additional points upon request



P: 03 5956 8685 M: 0488 029 256
Email: sales@besflowmeters.com.au

SPECIFICATIONS



MX75F-1SC

		MX75F-1SC		
Material of construction	Meter Body	Aluminium (6061)		
	Rotor	Aluminium (6061)		
	Seals	FKM (Viton)		
Design Specifications				
Process Connections		3" G Thread		
Technical Specifications		min	max	
	Flow rate < 5cPr	60	600	L/min
		15.85	158.50	GPM
	> 5cP	20	733	L/min
		5.28	193.64	GPM
	Non lubricating fluids	-	733	L/min
		-	193.64	GPM
Operating Temperature Range**		-40	120	°C
		-40	248	°F
	Accuracy ($\pm\%$)	$\pm 0.5\%$		
	Repeatability ($\pm\%$)	$\pm 0.03\%$		
	Nominal K-Factor	2.58 Pulses/Litre		
		9.77 Pulses/Gallon		

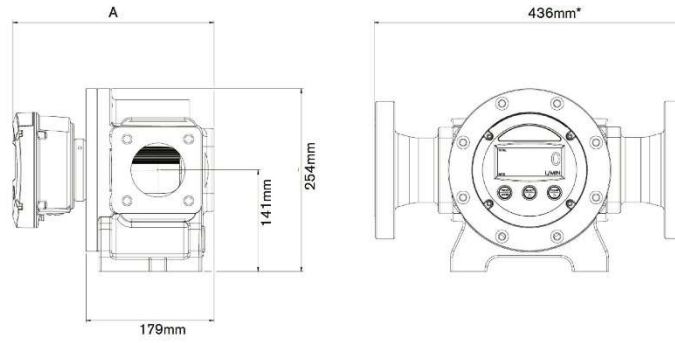
OUTPUT TYPE



FLAME PROOF (EX D)

		EX Approved [Ex D]
Construction		Stainless Steel
IP Rating		-
Temp	Min: - Max: - °C	
	Min: - Max: - °F	
EX Approvals		IECEX, ATEX, US & CAN THROUGH FM Please refer to instruction manual and certification documentation for product appropriate certification information
Display	Digit size (upper/lower)	-mm/-mm
	Accumulated total	×
	Resettable total	×
	Preset total	×
	Flow rate	×
Outputs	4-20 mA (passive)	×
	Pulse/Transistor Output	×
	Flow Alarm	×
	Batch Control output	×

PRODUCT DATA SHEET



PULSER AND DISPLAY HEIGHT - A

