



QS200 INSERTION ULTRASONIC FLOWMETER

The QS200 Insertion Ultrasonic Flowmeter provides an accurate reading of liquid flow rate and accumulated flow. Designed to support commercial irrigation applications, the QS200 is available in five pipe sizes, 1 to 4 in.

The QS200 ultrasonic insert is available with a PVC tee or as an "insert retrofit" for replacement of existing paddlewheel flow sensors.

FEATURES / BENEFITS

- Low-cost, effective and easy installation
- No moving mechanical parts (low-maintenance)
- Simple two-wire connector (for power and pulse)
- Compatible with irrigation controllers (common name brands)
- High accuracy: $\pm 2.0\%$ of reading (compared to full scale accuracy)
- Provides extended leak detection down to 0.1 fps (0.03 m/s)
- LED light indicators: (green for power and amber for pulse)
- Patented design
- Ideal for clean water flow measurement
- External wiring: (direct burial wire)

SPECIFICATIONS

Tee Housing Material:	Schedule 80 PVC
Insert Wetted Materials:	Body: PPS (Ryton R-4)
	Sensor: PEI (Ultem 1000)
	O-Ring: EPDM
Temperature Rating:	
Operating:	32° F to 140° F (0° C to 60° C)
Storage:	-20° F to +160° F (-29° C to +71° C)
Flow Range:	0.1 to 15 fps (0.03 to 4.6 m/s)
Accuracy:	Typically $\pm 2\%$ of reading
Operating Pressure:	150 psi @ 73° F (10 bar @ 23° C) 100 psi @ 140° F (7 bar @ 60° C)
Transducer Excitation:	Supply Voltage: 7.5V (dc) min. to 36V (dc) max Quiescent Current: 200 μ A (typical)
Output Frequency:	0 to 100 Hz
Output Pulse Width:	4 ms
Electrical Cable for Insert Electronics:	36 inches (914.4 mm) of 18 AWG, solid copper, "Direct Burial" (UL 493 & 83)

INSERT DESCRIPTION

Designed for above and below grade applications, such as irrigation, municipal and underground monitoring where the flow rates are between 0.1 to 15 fps (0.03 to 4.6 m/s) and temperatures are below 140° F (60° C). QS200 inserts are supplied with two single conductors, 18 AWG solid copper wire leads that are 36 inches (914.4 mm) in length with UL Style 116666 direct burial insulation.

APPLICATIONS

- Agriculture Irrigation
- Turf / Landscape Irrigation Systems
- Micro Irrigation Systems
- Groundwater Monitoring
- Sub-Metering Applications:
 - » High Rise Tenant Buildings
 - » Apartment Complex
 - » Universities
 - » Commercial Businesses
 - » Processing Facilities

CERTIFICATIONS

IP68



FLOW INSERT SELECTION CHART

Flowmeter Model	Pipe Size	Operating Range (Min.)	Operating Range (Max.)	Adjoining Pipe	Typical ¹ K-Factor	Hydrawise® ² K-Factor (Litres/Pulse)	Rain Master® K-Factor	Offset	Reference	
									Pulses/Gal	Pulses/Litre
QS200-10	1 in.	0.22 GPM (0.83 L/min) 0.1 ft/sec	33 GPM (124.92 L/min) 15 ft/sec	Sch 40	0.5575	0.0352	152	0	107.62	28.43
				Sch 80	0.5354	0.0338	146	0	112.06	29.60
QS200-15	1-½ in.	0.55 GPM (2.08 L/min) 0.1 ft/sec	82 GPM (310.41 L/min) 15 ft/sec	Sch 40	0.7923	0.0500	216	0	75.73	20.00
				Sch 80	0.7860	0.0496	214	0	76.34	20.17
QS200-20	2 in.	0.92 GPM (3.48 L/min) 0.1 ft/sec	138 GPM (522.39 L/min) 15 ft/sec	Sch 40	1.4610	0.0922	398	0	41.07	10.85
				Sch 80	1.4568	0.0919	397	0	41.19	10.88
QS200-30	3 in.	2.06 GPM (7.80 L/min) 0.1 ft/sec	309 GPM (1169.70 L/min) 15 ft/sec	Sch 40	4.2630	0.2690	1163	0	14.07	3.72
				Sch 80	4.0850	0.2577	1114	0	14.69	3.88
QS200-40	4 in.	3.58 GPM (13.55 L/min) 0.1 ft/sec	537 GPM (2032.78 L/min) 15 ft/sec	Sch 40	8.0881	0.5103	2206	0	7.42	1.96
				Sch 80	7.9062	0.4988	2156	0	7.59	2.00
QS200	Insert Only			Sch 80	Use pipe size to determine value			0	Use pipe size to determine value	

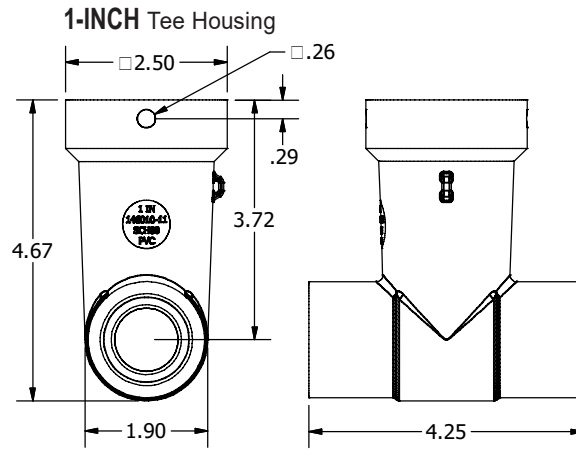
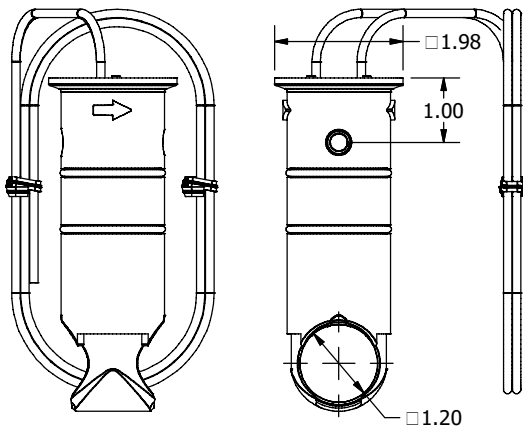
¹ Controller Brands: Baseline™, Calsense, Hunter®, HydroPoint® (WeatherTrak®), Rain Bird®, Toro® and Weathermatic®. ² Hydrawise®HCC models only.

K-Factor Information:

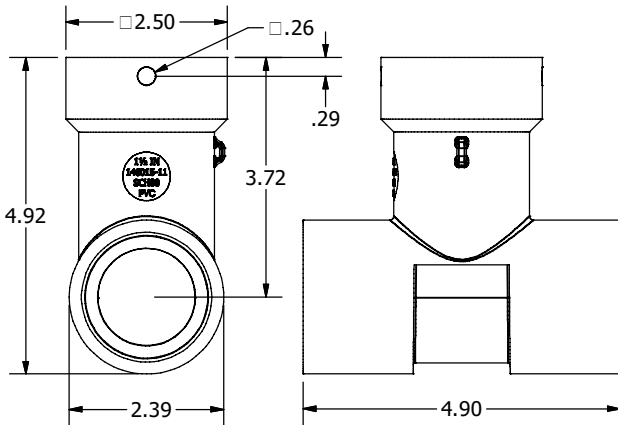
NOTE: The meter size is molded on the vertical stem of the Tee. FLOMEC ultrasonic meters use K-Factor plus offset numbers for greater accuracy during calibration. These values are derived by calibrating the meters using NIST traceable instrumentation. Using both sets of values to calibrate the meters provides greater accuracy than using only a K-factor value. The K-factor and offset values for each meter are listed above.

IMPORTANT: The K-factors provided are for reference. Accuracy can be affected by plumbing configuration, fluid condition, adjoining pipe schedule, type of meter tee (non-FLOMEC brand), and entrapped air. Customers should always validate accuracy and adjust K-factor as needed. If using non-FLOMEC tees, K-Factor will be different than those shown. Inconsistencies with these tees affect any stated value. Customers must verify accuracy if concerned.

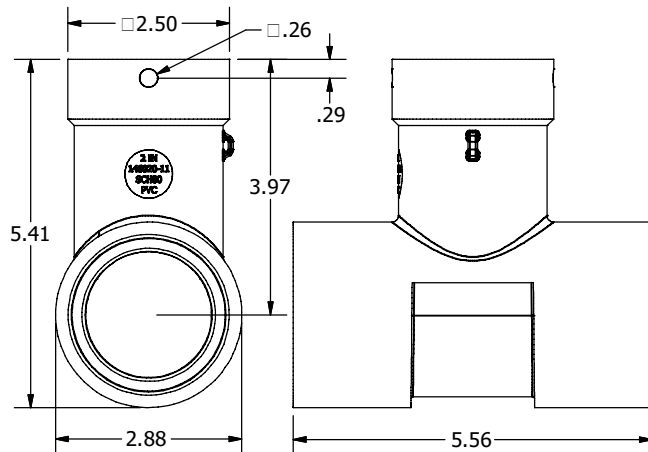
DIMENSIONS



1.5-INCH Tee Housing



2-INCH Tee Housing



P: 03 5956 8685 M: 0488 029 256
Email: sales@besflowmeters.com.au