



## PRODUCT CONFIGURATION

### PRODUCT IDENTIFIER 1

**RT40** = Flow Rate Totalizer with backlit large digit LCD, scalable pulse output and aluminum IP66 housing

### ELECTRICAL ACCESS 2

1 = M16 x 1.5mm for Al housing female threaded conduit entry ports (sealed ports remain IP66/67 when not used)

### FLOW INPUT TYPE 3

D = Digital (pulse or frequency)

### POWER SUPPLY 4

0 = Self-powered (battery) or regulated 8-24 V (dc)

### HOUSING TYPE 5

**FA** = Universal mount (field or panel) - aluminum housing

**MA** = Integral meter mount - aluminum housing\*

\* Only order MA when retro fitting an instrument to OM series pulse meters

### MECHANICAL OPTIONS 6

- **P** = Facia protector - for aluminum housing only (3 mm clear polycarbonate protection plate)

1 2 3 4 5 6  
---->>> RT40 1 D 0 FA -P

## B.E.S. FLOWMETERS

P: 03 5956 8685 M: 0488 029 256

Email: sales@besflowmeters.com.au

## RT40 FLOW RATE TOTALIZER

The FLOMEC® RT40 Flow Rate Totalizer LCD display is specifically designed for displaying flow rates and totals from flow meters with pulse, sine wave or frequency outputs. A robust aluminum housing and acrylic front cover makes it suitable for heavy duty use in mine sites and mobile applications. The instrument displays re-settable (batch) total, cumulative total and instantaneous flow rate in engineering units programmable by the user.

## FEATURES / BENEFITS

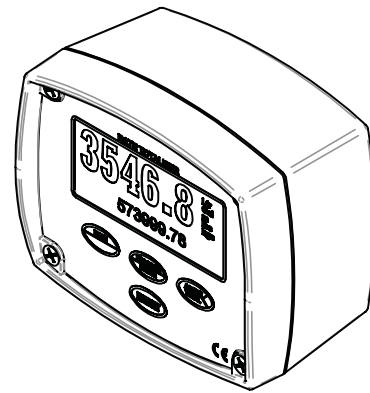
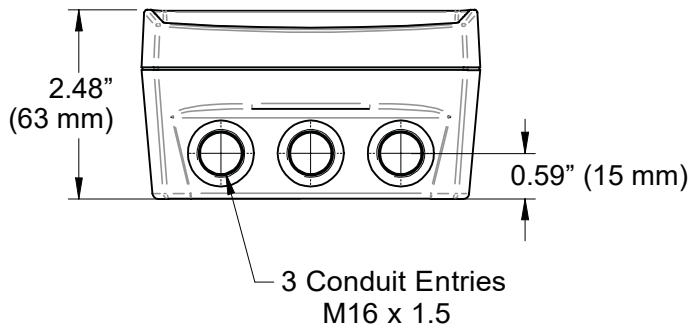
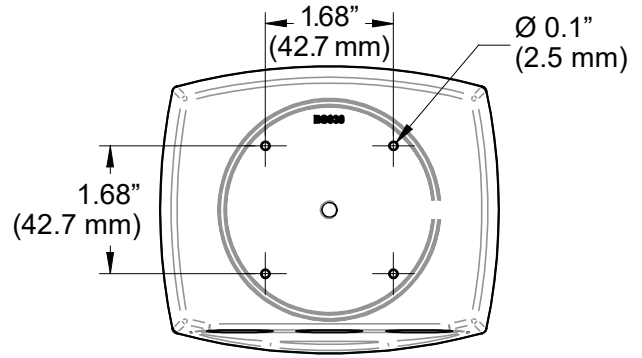
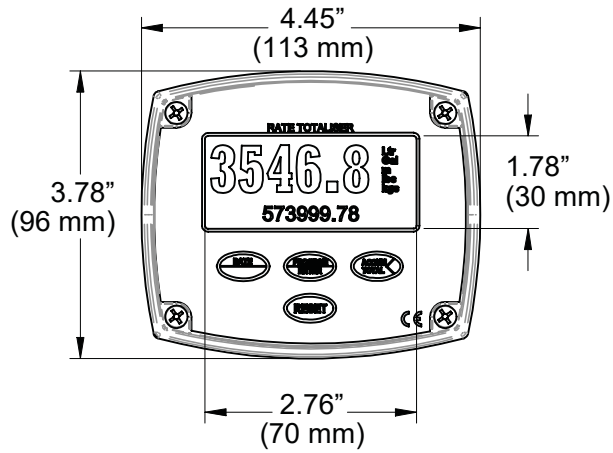
- Economic and robust LCD display suitable for mine sites and service truck installations
- Large backlit\*\* LCD screen displaying 5-digit flow rate, 6-digit resettable total and 8-digit cumulative total
- Battery or externally powered; battery life span is 3 years, approximately\*\*
- Robust IP65 (NEMA 4) Aluminum housing capable of being field or panel mounted
- Scaled pulse output\*\*
- Universal inputs
- Reverse polarity protection
- Flowmeter and pipe mount kits available
- PIN protected programming with simple programming flow-chart

\*\*External power required for back light or pulse output features.

## SPECIFICATIONS

Display	Large backlit LCD 6-digit display with 8-digit secondary display line
Temperature Range	-4°F - +176°F (-20°C - +80°C)
Signal Input	Reed switch, Hall effect, Namur proximity detectors, voltage, current and coil (15mV P-P min)
Max. Input Frequency	Max. input frequency 5 kHz under external power. Maximum input frequency when not externally powered is 150 Hz
Signal Output	NPN transistor, scalable
Max. Output Frequency	20 Hz
Battery Power	3.6 V (dc), approximate 3 year life span
External Power	Regulated 8-24 V (dc) x 50 mA minimum
Protection Class & Body	IP65 (NEMA 4) Aluminium body
Mounting	Field, meter or panel mount
Engineering Units	Selectable Ltr, gal, m <sup>3</sup> , kgs, lbs (total). /s, /min, /hr or /day (rate)
Cable Entries	3 x M16 x 1.5

## DIMENSIONS



**B.E.S.**  
**FLOWMETERS**

P: 03 5956 8685 M: 0488 029 256  
Email: sales@besflowmeters.com.au

