



PRODUCT DATA SHEET

WM10ARP-1 - 1" CUSTODY TRANSFER METER WITH PULSE OUTPUT

The WM Series 1" CUSTODY TRANSFERMETER are suitable for flows between 24 – 120 L/min (6.34 - 31.70 GPM), providing highly accurate flow measurement performance. The WM Series offers ±0.50% accuracy of true reading in a compact footprint, requiring no flow conditioning and with high pressure and temperature capabilities.

Key features include:

- Cast Aluminium construction
- FKM (Viton) seals
- Maximum flow rate 120 L/min / 31.70 GPM
- Accuracy of ±0.50% of reading
- Exceptional repeatability of ±0.03%
- Temperature up to 80 °C / 176 °F
- 1 point factory calibration as standard, with additional points upon request

B.E.S.
FLOWMETERS

P: 03 5956 8685 M: 0488 029 256
Email: sales@besflowmeters.com.au

SPECIFICATIONS



WM10ARP-1

		WM10ARP-1		
Material of construction	Meter Body	Cast Aluminium		
	Rotor	PPS		
	Seals	FKM (Viton)		
Design Specifications				
Process Connections		1" Rp Thread		
Technical Specifications		min	max	
	Flow rate			
	< 5cPr	24	120	L/min
		6.34	31.70	GPM
	> 5cP	24	120	L/min
		6.34	31.70	GPM
	Non lubricating fluids	-	120	L/min
		-	31.70	GPM
Operating Temperature Range**		-40	80	°C
		-40	176	°F
	Accuracy (±%)	0.50%		
	Repeatability (±%)	0.03%		
	Nominal K-Factor	36 Pulses/Litre		
		136.31 Pulses/Gallon		

OUTPUT TYPE

PULSE OUTPUT

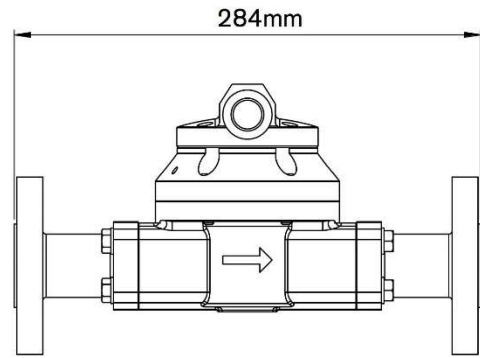
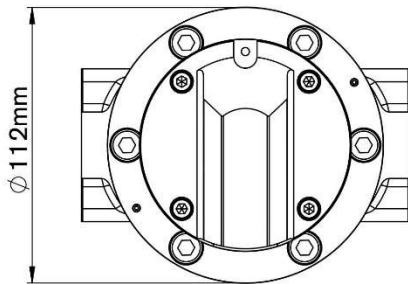
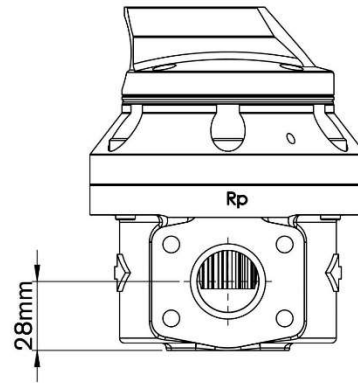
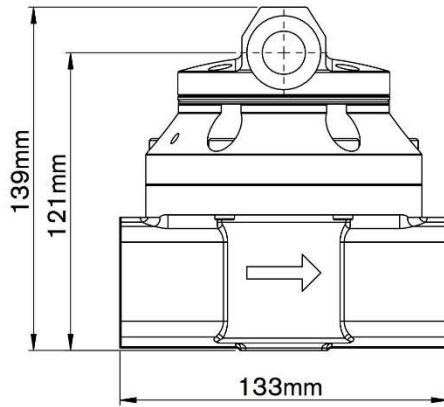
		Reed/Reed
Construction	-	
IP Rating	-	
Temp	Min: - Max: - °C Min: - Max: - °F	
EX Approvals	-	Please refer to instruction manual and certification documentation for product appropriate certification information
Display		
Digit size (upper/lower)		-mm/-mm
Accumulated total		×
Resettable total		×
Preset total		×
Flow rate		×
Outputs		
4-20 mA (passive)		×
Pulse/Transistor Output		×
Flow Alarm		×
Batch Control output		×



macnaught

PRODUCT DATA SHEET

WM10AR



ANSI